

Datasense Agro Water Monitor

Smart water meter for professional users

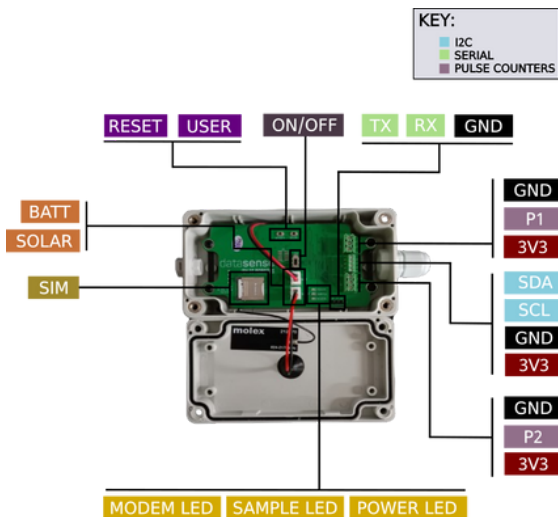
datasense  AGRO

TECHNICAL SPECIFICATIONS

Hardware features

Specifications

- 3.7V rechargeable battery
- Integrated solar panel
- 2G/NB-IoT/LTE-M modem
- 1x serial panel for configuration
- 1x I2C port for sensors
- 2x low power pulse counters for water meters
- 3x LEDs for quick debugging (Power, Sample and Modem)
- 2x user buttons (RESET and USER)
- 1x 3FF SIM card slot



Enclosure

- IP66, ABS plastic enclosure
- 1x IP68 PG7 nylon cable gland
- 1x IP68 breathable vent plug
- Stainless steel mount for poles available

Application examples

- Water consumption measurement
- Alerts of faulty irrigation systems
- Professional ambient temperature and relative humidity monitoring

* External sensors and components may be necessary

Device setup and data access

Local device management

Text-based CLI for on-site interaction (external USB-Serial adapter required).

Modify device settings such as:

- SIM card settings
- MQTT broker credentials for data
- Sampling frequency
- Power saving settings
- Payload content and format
- *More than 50 other parameters available*

Perform debugging actions:

- Test power buses
- Test communications
- Test sensors

Remote device management

Devices integrate with our Datasense Hello Platform. Users can access it through an API.

Main features:

- Modify device settings*
- Over-The-Air (OTA) updates
- Trigger remote actions
- Collect diagnostics

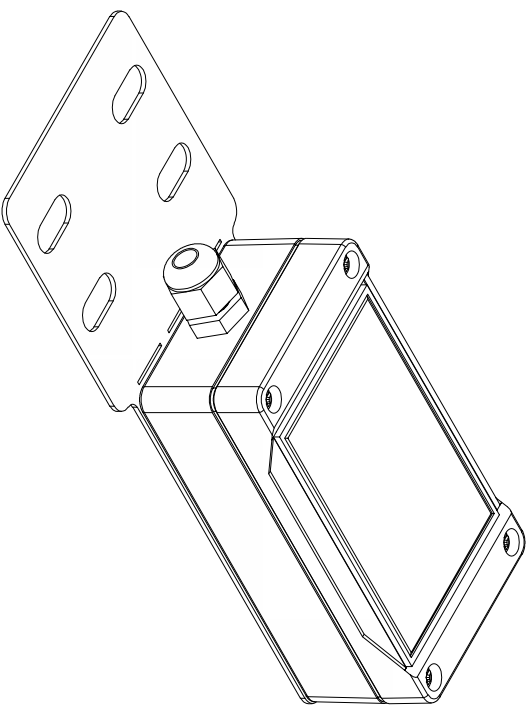
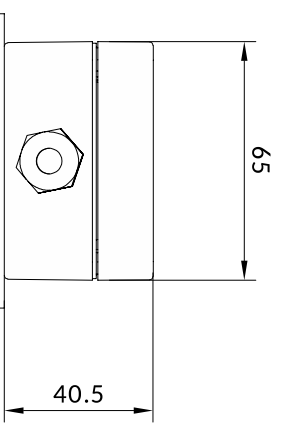
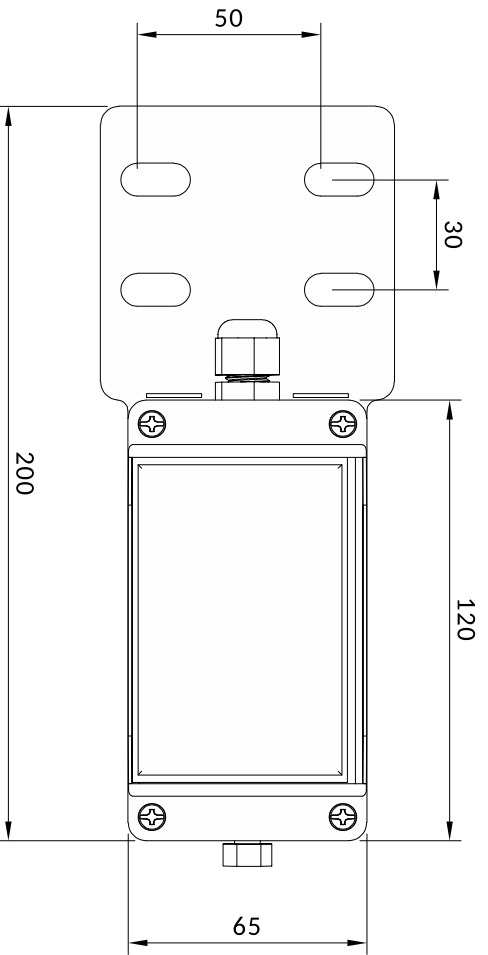
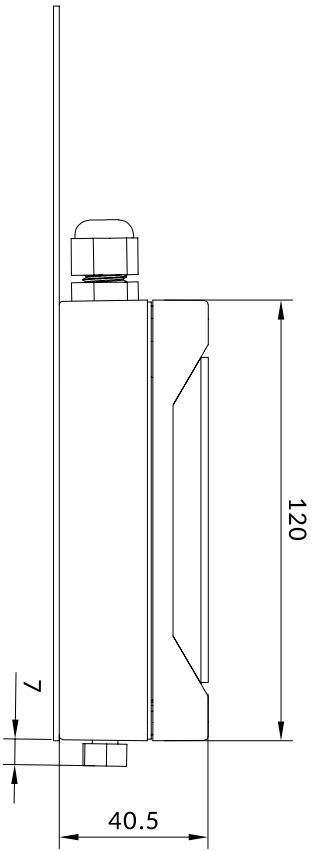
* Check available settings in "Local device management"

Data management

Data is securely sent to an MQTT broker.

- OPTION 1
 - Datasense broker
 - Users can access data through Datasense's API
 - 1-year of data retention
- OPTION 2
 - User private broker
 - SC Robotics can't access the data

All dimensions are in mm



Dataseense Agro Water Monitor
Dimensions of enclosure and holder

dataseense
/BY SC ROBOTICS