

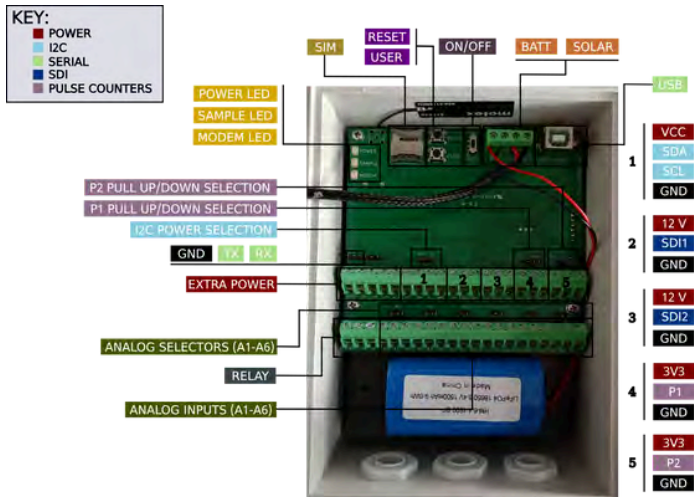
# Datasense Agro Logger

Autonomous datalogger designed to monitor crops remotely

## Hardware features

### Specifications

- 6.4V LFP rechargeable battery
- Integrated solar panel
- 2G/NB-IoT/LTE-M modem
- 3.3V, 5V and 12V supply voltages for sensors
- 1x serial panel for configuration
- 1x I2C port
- 2x low power pulse counters
- 6x analog inputs
- 2x SDI-12 ports
- 1x output relay
- 3x LEDs for quick debugging (Power, Sample and Modem)
- 2x user buttons (RESET and USER)
- 1x 3FF SIM card slot



### Enclosure

- IP66, ABS plastic enclosure
- 3x IP68 PG7 nylon cable gland
- 1x IP68 breathable vent plug
- Stainless steel mount for poles available

### Application examples

- Professional weather station (anemometer, rain collector, temperature and humidity sensors)
- Multi-level soil analytics (moisture, temperature, electrical conductivity)
- Water consumption monitor

\* External sensors and components may be necessary

## Device setup and data access

### Local device management

Text-based CLI for on-site interaction (external USB-Serial adapter required).

Modify device settings such as:

- SIM card settings
- MQTT broker credentials for data
- Sampling frequency
- Power saving settings
- Payload content and format
- *More than 50 other parameters available*

Perform debugging actions:

- Test power buses
- Test communications
- Test sensors

### Remote device management

Devices integrate with our Datasense Hello Platform. Users can access it through an API.

Main features:

- Modify device settings\*
- Over-The-Air (OTA) updates
- Trigger remote actions
- Collect diagnostics

\* Check available settings in "Local device management"

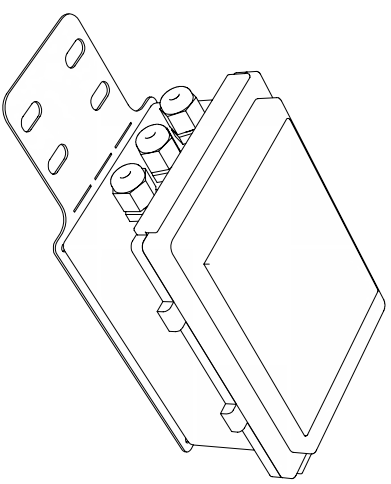
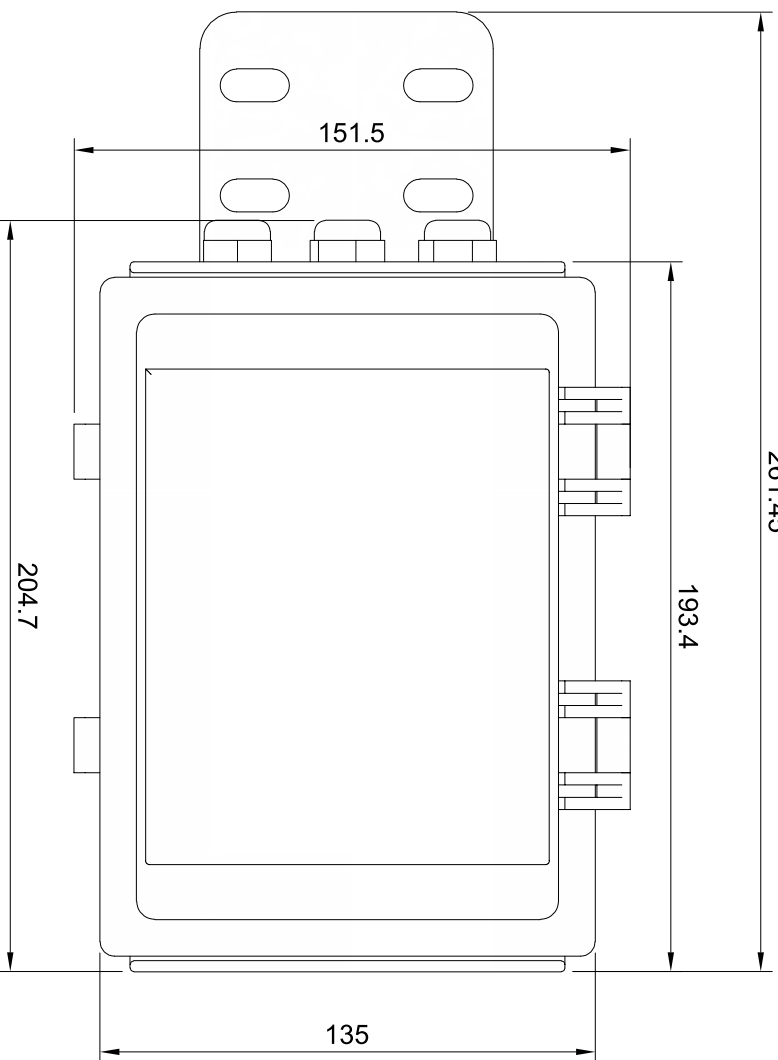
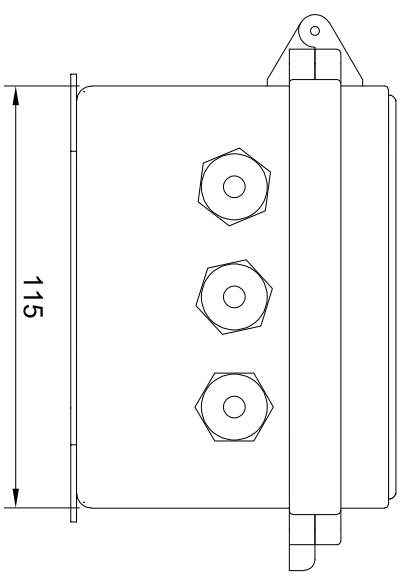
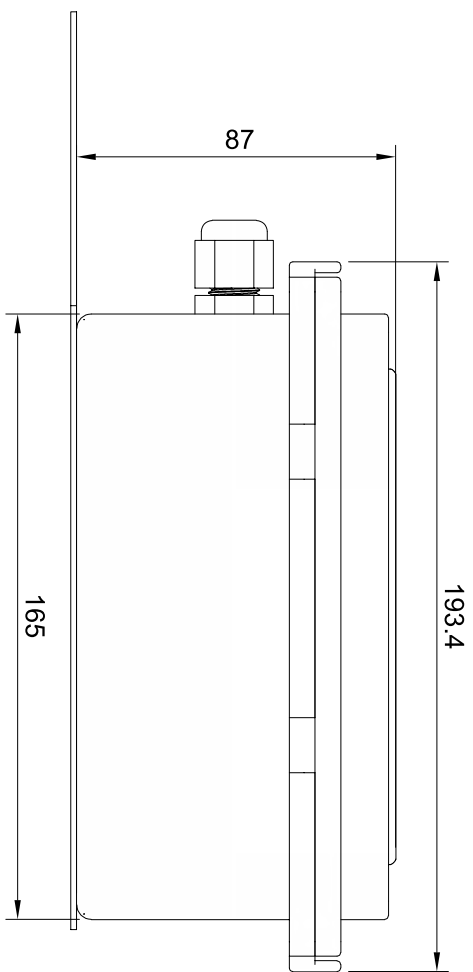
### Data management

Data is securely sent to an MQTT broker.

- OPTION 1
  - Datasense broker
  - Users can access data through Datasense's API
  - 1-year of data retention
- OPTION 2
  - User private broker
  - SC Robotics can't access the data

All dimensions are in mm

**Dataseense Agro Logger**  
Dimensions of enclosure and holder



**dataseense**  
/BY SC ROBOTICS